

THE TEMPLE TORPEDO
(PROJECT BLUE BOOK CASE #10270 MARCH 23, 1966)
 (NEAR THE TEXAS/OKLAHOMA BORDER - SHEPPARD AFB)
 (OFFICIALLY LISTED IN THE BLUE BOOK FILES AS AN "UNKNOWN")

LENGTH: 75 FEET.
 HEIGHT: 8 FEET.
 WIDTH: 12 FEET.

SEEN BY A 56 YEAR OLD ELECTRICAL ENGINEER ON HIS WAY
 TO SHEPPARD AFB TX (WEST ON HIGHWAY 70).

TIME OF SIGHTING: 5:05 AM

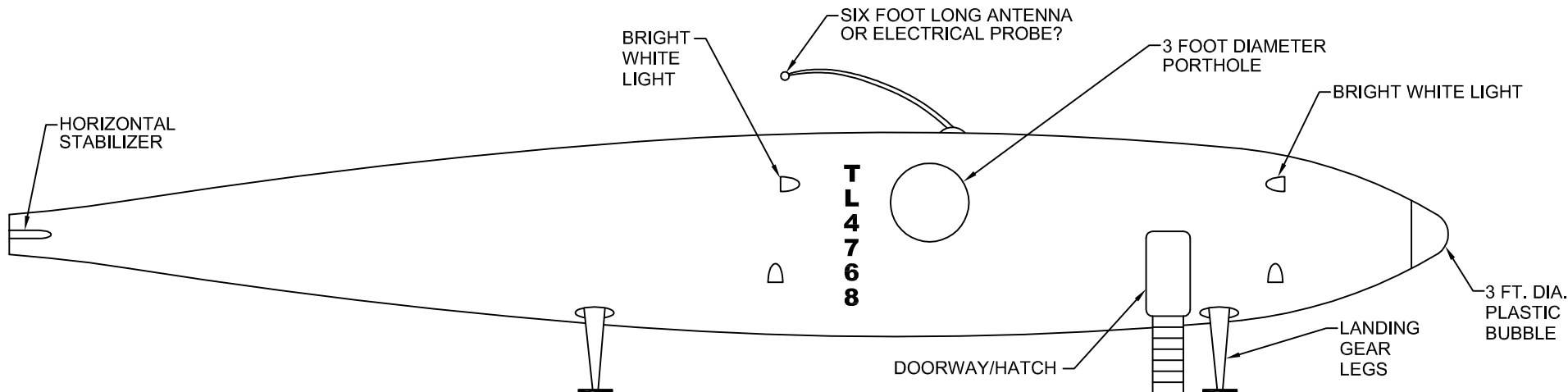
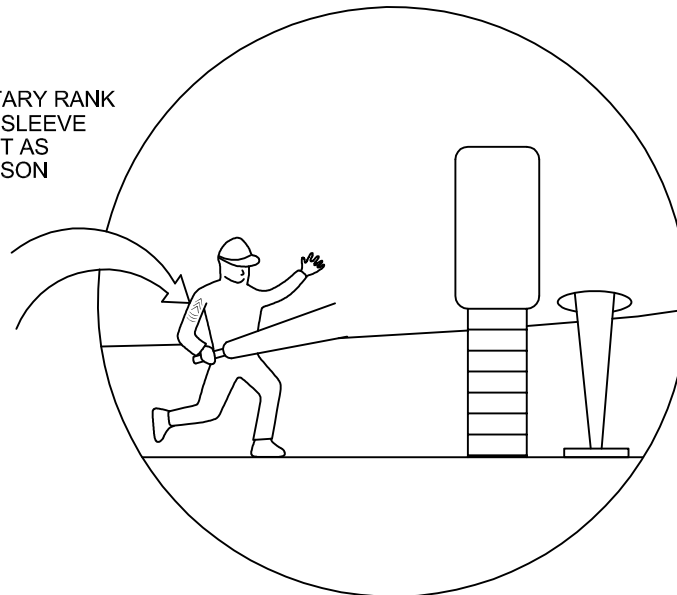
THE PRIMARY WITNESS (EDDIE LAXSON) STOPPED 300 FEET FROM THE
 CRAFT AND DESCRIBED IT AS LOOKING LIKE A WINGLESS AIRCRAFT
 OR PERCH SHAPED FISH WITH FOUR BRIGHT LIGHTS ON THE SIDE.

LIGHT COULD BE SEEN COMING OUT OF A 3 FT. DIAMETER
 CLEAR PLASTIC BUBBLE NEAR THE FRONT OF THE CRAFT.

THE LETTERS "TL4768" WERE WRITTEN ON THE SIDE OF THE CRAFT IN BLACK PAINT.
 THE WITNESS STATED THAT HE SAW THE SILHOUETTE OF A PERSON STANDING NEAR
 THE CRAFT WITH A FLASHLIGHT. HE WAS WEARING A TWO-PIECE GREEN MILITARY
 UNIFORM AND A "BASEBALL CAP". THIS PERSON HAD WHAT LOOKED LIKE BANDS OR
 MILITARY SYMBOLS ON HIS UPPER AND LOWER SLEEVES.

THE OBJECT LIFTED OFF WITH A "HISSING" OR "DRILLING" SOUND
 AND HEADED OFF IN A SOUTH EAST DIRECTION AT APPROXIMATELY 700 MPH.
 THE CRAFT MADE NO SONIC BOOM AS IT DEPARTED.

ENLARGED VIEW OF MILITARY RANK
 TYPE SYMBOLS SEEN ON SLEEVE
 OF "PERSON" NEAR CRAFT AS
 IDENTIFIED BY EDDIE LAXSON



SIDE VIEW